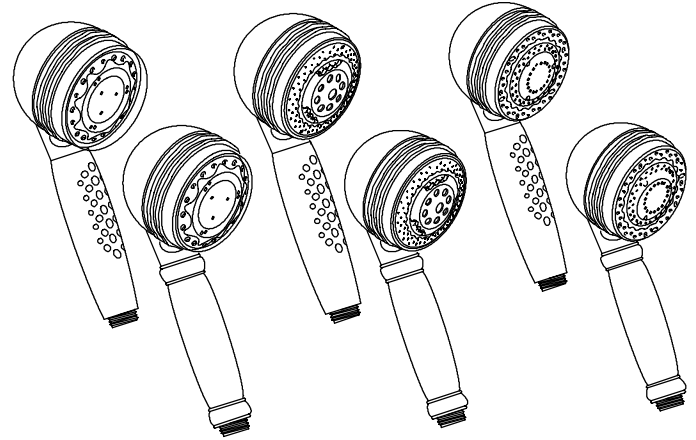


FEATURES

- *Invigoring, Relaxing or Family (both invigoring and relaxing) spray options*
- *MasterShower or Revival style*
- *2.5 gallons (9.5L) per minute*

K-8501, K-16161



CODES/STANDARDS APPLICABLE

Specified model meets or exceeds the following:

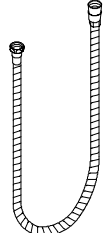
- *ASME/ANSI A112.18.1M*
- *IAPMO/UPC*

COLORS/FINISHES

- CP Polished Chrome
- PB Polished Brass
- Other Refer to Faucets Price Book for additional finishes

SPECIFIED MODEL:

Model	Description			
K-8501	MasterShower™ Invigoring handshower	<input type="checkbox"/> CP	<input type="checkbox"/> PB	<input type="checkbox"/> Other _____
K-8502	MasterShower™ Relaxing handshower	<input type="checkbox"/> CP	<input type="checkbox"/> PB	<input type="checkbox"/> Other _____
K-8503	MasterShower™ Family handshower	<input type="checkbox"/> CP	<input type="checkbox"/> PB	<input type="checkbox"/> Other _____
K-16161	MasterShower™ Revival™ Invigoring handshower	<input type="checkbox"/> CP	<input type="checkbox"/> PB	<input type="checkbox"/> Other _____
K-16162	MasterShower™ Revival™ Relaxing handshower	<input type="checkbox"/> CP	<input type="checkbox"/> PB	<input type="checkbox"/> Other _____
K-16163	MasterShower™ Revival™ Family handshower	<input type="checkbox"/> CP	<input type="checkbox"/> PB	<input type="checkbox"/> Other _____

Required Accessory			
K-9514	60" (152.4cm) Metal Shower Hose	<input type="checkbox"/> CP	<input type="checkbox"/> PB

PRODUCT SPECIFICATION:

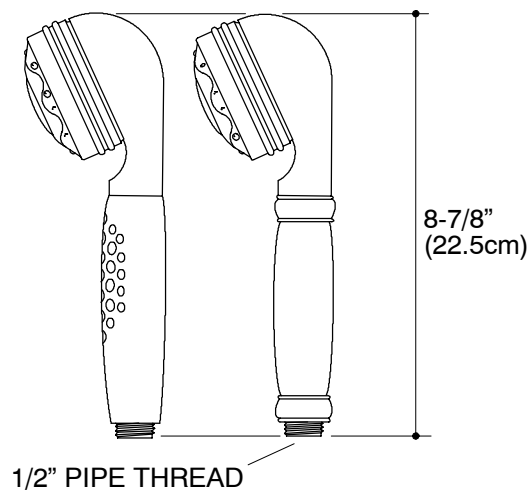
Handshower shall have either Invigoring, Relaxing, or Family sprays and requires a shower hose. Handshower shall be Kohler Model K-_____ - _____ and 60" (152.4cm) metal shower hose shall be Kohler Model K-9514-_____.

MASTERSHOWER™ REVIVAL™

INSTALLATION NOTES

Install this product according to the installation guide.

Plumbing codes require an atmospheric vacuum breaker (such as Kohler Part K-9660) be installed inline to handshowers. Please consult with local plumbing officials.



PRODUCT DIAGRAM